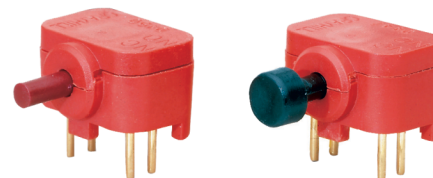


SERIES 39
SPST and SPDT, 1/4 Amp

FEATURES

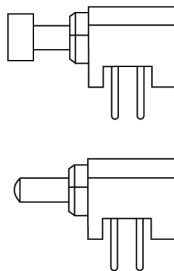
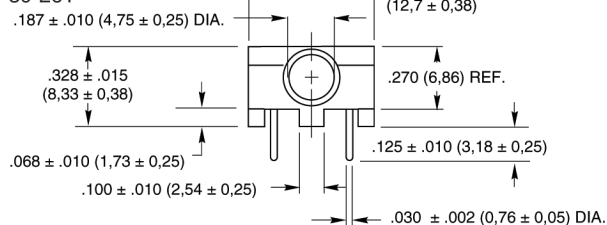
- Fully Protected During Flux Cleaning Operations



DIMENSIONS In Inches (and millimeters)

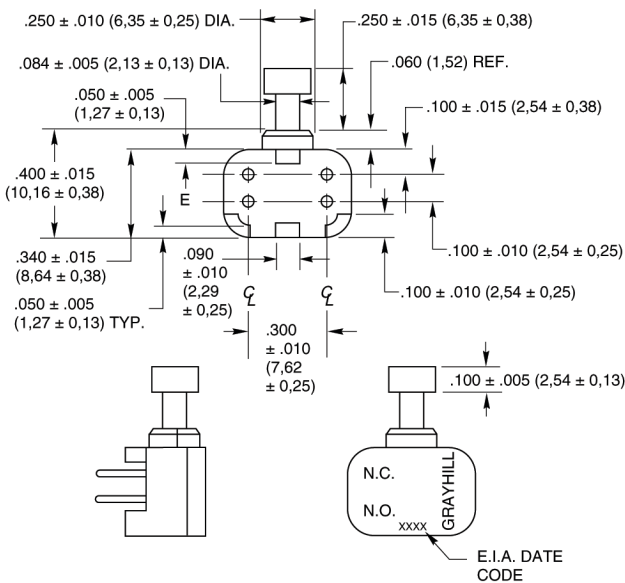
SPDT-PC Mount
Large Button Style

39-261*



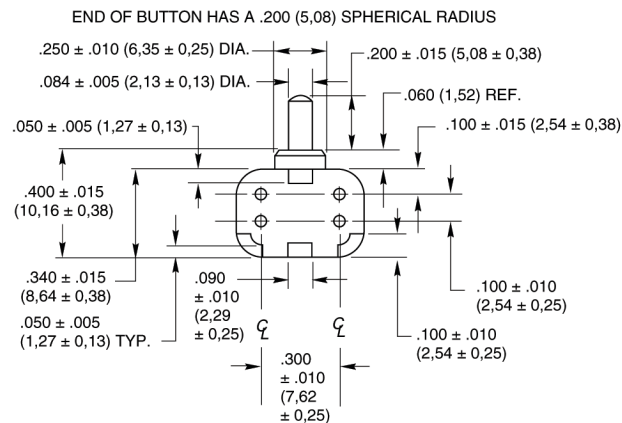
| Rating at 28 Vdc Resistive | Rating at 115 Vac Resistive | Rating at 220 Vac Resistive | Operations at Rated Load | Partial Part Number |
|----------------------------|-----------------------------|-----------------------------|--------------------------|---------------------|
| 150 mA | 1/4 Amp | 1/8 Amp | 500,000 | 39-251* 39-261* |

| Action | Total Travel | Actuating Force (oz.) |
|-----------|--|-----------------------|
| Momentary | .090 + .010/ - .015 (2,29 + 0,25/ - 0,38) | 10 ± 3 oz. |



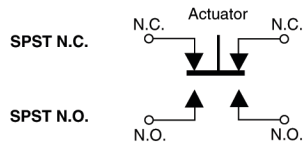
Small Button Style

39-251*

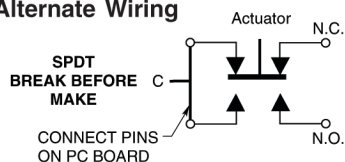


CIRCUITRY

2 Circuits Per Switch



Alternate Wiring



SPECIFICATIONS

Rating Criteria

Contact Resistance: 25 milliohms maximum on a new switch

Voltage Breakdown: 1,000 Vac between mutually insulated parts

Insulation Resistance: 1,000 megohms minimum

Operating Temperature: -40°C to +125°C

Materials and Finishes

Button: Nylon

Base and Cover: Polyester, red in color

Shorting Bar: Phosphor bronze, gold-plated over nickel

Terminals: Brass, gold-plated over nickel

Spring: Tinned music wire

O-Ring: Fluorosilicone

ORDERING INFORMATION

| *Complete Part Number | Description |
|-----------------------|--------------------------|
| 39-251 RED | Small Red Button, SPDT |
| 39-251 BLK | Small Black Button, SPDT |
| 39-261 RED | Large Red Button, SPDT |
| 39-261 BLK | Large Black Button, SPDT |